

ROLL FORM UNWIND SPECIFICATIONS

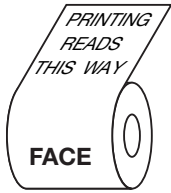
Job Number & Name _____

Form# / Description _____

Comments _____

Supply printed rolls in the orientation indicated below:

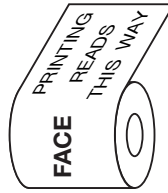
NOTE: DIAGRAMS SHOWING COPY UNWIND INTO CUSTOMER'S EQUIPMENT



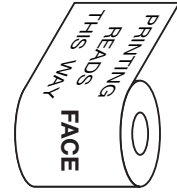
___ UNWIND #1



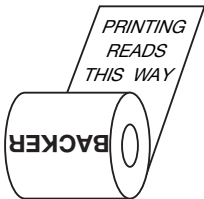
___ UNWIND #2



___ UNWIND #3



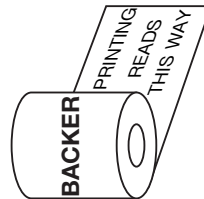
___ UNWIND #4



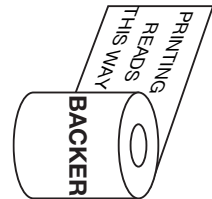
___ UNWIND #5



___ UNWIND #6



___ UNWIND #7



___ UNWIND #8

SIZE OF UNWIND SHAFT:

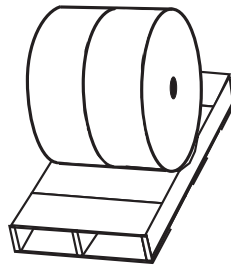
Core Diameter: 3" 5" 6"

Paper Weight: _____

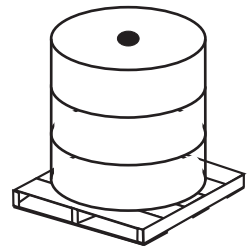
Maximum Roll Diameter:

40" 50" Other: _____

CIRCLE ONE:



Rolls Standing Upright



Poker Chip Style

Number of Rolls Per Pallet: _____

(If optional, leave blank)

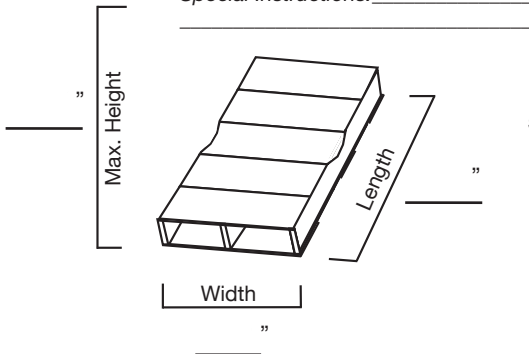
PALLETIZING REQUIREMENTS:

(If none, leave blank)

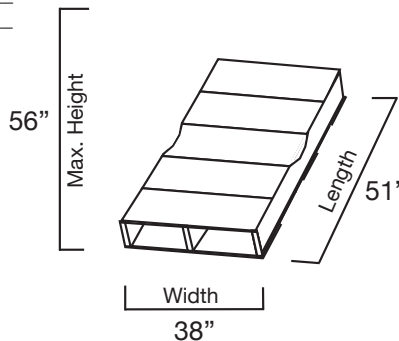
**Metal banding standard, plastic banding available upon request.*

Custom Pallet

Special Instructions: _____



Standard Upright Roll



Standard Poker Chip

